

technagon

charged by innovation

TEP8

→ AC Charger
Technagon TEP8

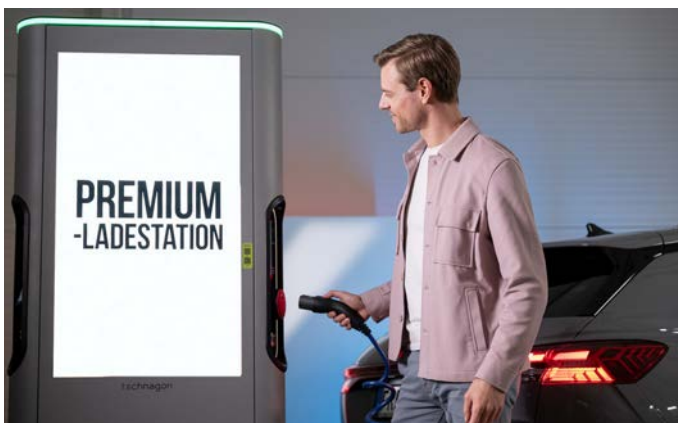


reddot winner 2023
best of the best

Features & functions

- Charging station with 2 charging points for public and semi-public areas
- Max. charging power: 44 kW (2 x 22 kW) | Configurable by qualified electrician
- KfW eligible
- AFIR and calibration law compliant; controllable in accordance with §14a EnWG
- Unique, modular concept enables simple handling of handling the issues of service and calibration law
- Ethernet connection (LAN) as standard | additional 4G modem (mobile communications modem) possible as an option
- Connection of all leading backend providers via OCPP1.6
- Available with permanently installed spiral cable
- Plug release in the event of a power failure
- Lockable front panel with profile half cylinder
- LED topper with color and flashing codes for status display
- Powder-coated aluminum housing - complete DB701
- 4.3 inch color display and RFID reader per charging point
- Display of static and dynamic QR code possible
- Intuitive and language-independent user guidance
- Integration of a universal payment terminal (credit card, Girocard, fleet cards, Apple or Google Pay)
- Load management in various levels included
- Simple connection to terminals | cable feed from below
- Mounting on foundation | prefabricated foundation as accessory
- Winner of the Red Dot Design Award - Best of the Best 2023
- Digital signage solution: integrated 46-inch display and media PC for playing individual content

Modular & versatile



The Technagon TEP8 combines high-end charging technology with top-class infotainment. The razor-sharp 46-inch display is ideal for individual messages - from advertising offers and image ads to tourist information. This makes the media pillar predestined for use in highly frequented locations.

- heart of the Technagon P/W series
- unique, innovative design
- certified according to calibration law
- revolutionary service concept
- intuitive user guidance on the display
- symbolic and language-independent
- in-house charging controller integrated



Highlight

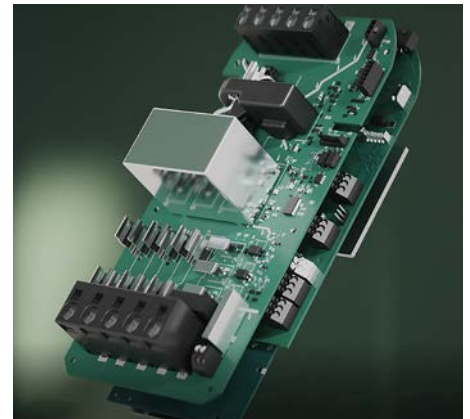
The unique **charging module** opens up completely new possibilities in charging technology. Certified as a closed component, it makes it easier to comply with calibration law and revolutionizes service.



modular design & integrated display



Technagon charging module
(calibration law compliant)



Technagon charging controller
(5th generation)

Basisvariante



With charging socket as standard



With spiral cable as an option

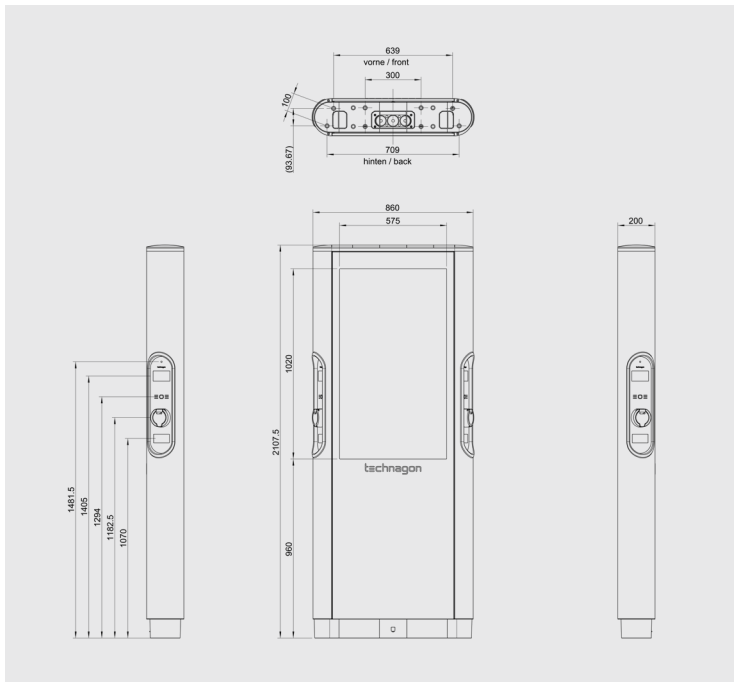


Compliant with calibration law
as standard



charged by innovation

Dimensions (mm)



Technical information

Packaging

Packaging dimensions and unit	L x W x H: 2300 x 1130 x 440 mm (TEP8 on one pallet); not stackable
Scope of delivery	Charging station, printed instructions, foundation installation set, 2x keys, master key

Performance features and functions

Authentication	via RFID cards (ISO 14443) MIFARE Ultralight, Classic or DESFire
Screen	4.3-inch display per charging point to show operator data, prices, QR codes
Charging connections	2 x IEC 62196 type 2 charging socket plug interlock 2 x attached type 2 cable (charging connections can be combined) *max. 2 x 22 kW in parallel (max. 32 A per charging point) (*simultaneity factor 0.9) Emergency release in the event of a power failure

Mechanical design

Dimension	2107 x 860 x 200 mm (H x W x D)
Weight	depending on version 138-145 kg
Operating temperature range	-25 °C bis +50 °C
Installation site	≤ 2.000 m (altitude above sea level)
Relative humidity	5 to 95%, non-condensing
Protection class	IP54
Vandalism protection	IK10
Mounting type	Floor mounting on concrete foundation prefabricated foundation available

Technical information

Electrical version

Grid connection	Mains connection: 3P+N+PE, max. 5 x 35 mm ² copper, rated voltage: 230/400 VAC, 50 Hz, rated current: max. 63 A, all-pole disconnection via 63 A fuse switch-disconnector
Security	Main switch: 3P+N fuse switch-disconnector; fuses per charging point: 3 x 32 A (on power board) RCD type A per charging point with additional DC residual current monitoring 6 mA; temperature derating; contactor sticking detection
Lightning and overvoltage protection	Optional combination arrester Cat. I+II+III AC according to DIN EN 61643-11 Optional combination arrester for data line in accordance with DIN EN 61643-21
Load management	Static and dynamic load management included (local, Modbus TCP, MQTT and OCPP); see operating instructions for details
Specific functions	i-MiEV detection, Mode 3s detection
Status display	LED status display integrated in topper element (remote visibility) Fault detection through different flashing codes
Calibration law	Conformity with calibration law as standard
Energy meter	DIN rail meter compliant with calibration law
Standby consumption	charging technology: approx 20 Watt, advertising approx. 215 Watt
Advertising	3x Schuko socket outlet for computer connection, display connection and switch (on site)

Advertising

Display data	Screen size: 46 inch (1018,08 x 572,67); Dimensions: 1044,1 x 598,7 x 36,4 (H x W x D) Resolution: 1.080 x 1.920 pixels; Operating time: 24/7; Surface luminance: 2.500 cd/m ² Operating mode: normally black; Frame rate: 60 Hz
Media PC	Standard Ethernet connection (LAN); additional network connection for media PC required

Connectivity

Monitoring	Monitoring and diagnostics via OCPP1.6 (OCPP2.1 in preparation)
Remote maintenance	Extensive remote maintenance options via OCPP
Update options	USB, web interface, Backend
WebInterface	The Technagon web interface can be used to configure the most important parameters that are required for individual operation.
External IT systems	Standard Ethernet connection (LAN) and as an option 40069.160 via GPRS, UMTS, LTE

Billing and customer management

Billing	by means of signed, calibration-compliant data records via OCPP
Long-term storage in compliance with calibration law	Local and physically accessible storage of charging data for 8 years via SD card
Customer management	via OCPP or local whitelist (csv import) Optional payment option via Giro-e (EC card)

Technical information

Standards

Charging processes	IEC 61851-1 (Mode 3)
Connections	IEC 62196-2, VDE-AR-E2623-2, IEC 60309
Security	IP 54 according to IEC 60529, IEC 62955, IEC 61439-1, IEC 61439-7, protection class 1 (with protective conductor), CE "Class A" in accordance with EU Directive 2014/30/EU
Calibration law	REA document 6-A, PTB requirement 50.7

Shared Backends

be.energised, Chargepoint, ChargeCloud, Virta, Smartlab, Lichtblick, eRound, reev, Lastmilesolution, Monta, MSU, E-Flux and more.

Subject to technical changes

Basic version

Article no.	Description
40069.170	TEP8 charging station with 46-inch display; compliant with calibration law; 2 charging points

Options and accessories

Article no.	Description
40069.150	Attached spiral cable (cable length 5.5 m)
40069.152	Double clamp (up to max. 35 mm ²) (mains connection clamp, with which another charging station can be supplied in parallel)
40069.153	Backend pre-configuration
40069.157	Overvoltage arrester DEHNpatch (Ethernet connection)
40069.158	Energy supplier contact (I/O port for possible requirements from energy suppliers)
40069.174	Overvoltage combined arrester Cat I+II+III
40069.160	Mobile communications modem (4G)
40069.468	Mobile communications configuration package
40069.161	Direct payment system via Giro-e (EC card) Business account with billing partner GLS Bank required separately
40069.177	Credit card terminal instead of a charging point (mobile phone connection in the terminal by default, additional network cable required for LAN)
40069.553	Communication (switch)
40069.383	Switch-disconnector NH00 160 A
40069.330	Foiling ex works TEP8 - Full foiling
40069.331	Foiling ex works TEP8 - Partial front foiling
40069.495	Foiling ex works TEP8 - Partial foiling front and side panels
40069.135	Prefabricated concrete foundation TEP8
40069.171	Foundation anchor TEP8
40069.296	Charging module cover (temporary cover)

The uniqueness of Technagon

Our products are much more than simple charging stations. They embody intelligence, sustainability and elegance. Discover our entire portfolio at:
technagon.de



Contact

Technagon GmbH
Brunnwiesen 38
D-94481 Grafenau

Phone: +49 / 8555 / 51700-00
Mail: office@technagon.de
Web: www.technagon.de

