

technagon

charged by innovation

TEP4

→ AC Charger
Technagon TEP4

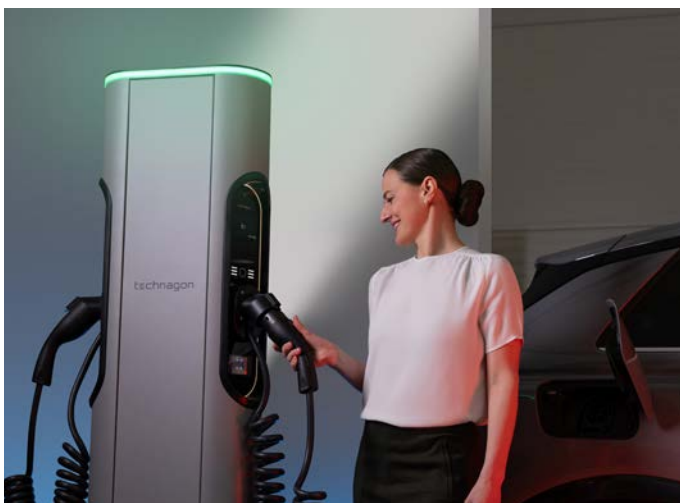


reddot winner 2023
best of the best

Features & functions

- Charging station with 2 charging points for public and semi-public areas
- Max. charging power: 44 kW (2 x 22 kW) | Configurable by qualified electrician
- KfW eligible
- AFIR and calibration law compliant; controllable in accordance with §14a EnWG
- Unique, modular concept enables simple handling of the issues of service and calibration law
- Ethernet connection (LAN) as standard | additional 4G modem (mobile communications modem) possible as an option
- Connection of all leading backend providers via OCPP1.6
- Available with permanently installed spiral cable
- Plug release in the event of a power failure
- Lockable front panel with profile half cylinder
- LED topper with color and flashing codes for status display
- Powder-coated aluminum housing - complete DB701
- 4.3 inch color display and RFID reader per charging point
- Display of static and dynamic QR code possible
- Intuitive and language-independent user guidance
- Integration of a universal payment terminal (credit card, Girocard, fleet cards, Apple or Google Pay)
- Load management in various levels included
- Simple connection to terminals | cable feed from below
- Prefabricated foundation available as an accessory
- Winner of the Red Dot Design Award - Best of the Best 2023

Modular & versatile



Our high-quality Technagon TEP4 standard charging station impresses with its elegant design and intelligent, modular concept. The charging station is multifunctional and available with a wide range of options.

- heart of the Technagon P/W series
- unique, innovative design
- certified according to calibration law
- revolutionary service concept
- intuitive user guidance on the display
- symbolic and language-independent
- in-house charging controller integrated



Highlight

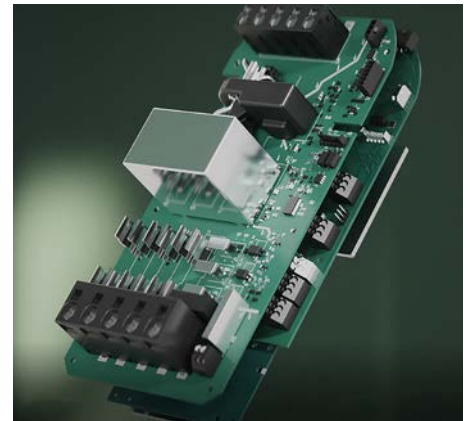
The unique **charging module** opens up completely new possibilities in charging technology. Certified as a closed component, it makes it easier to comply with calibration law and revolutionizes service.



modular design



Technagon charging module
(calibration law compliant)



Technagon charging controller
(5th generation)

Basic variant



With charging socket as standard



With spiral cable as an option

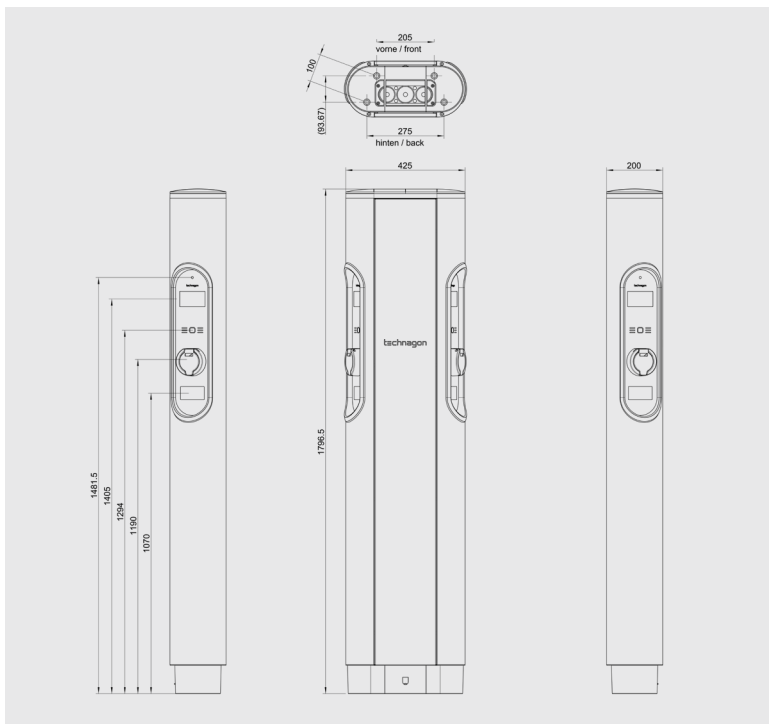


Compliant with calibration law
as standard



charged by innovation

Dimensions (mm)



Technical information

Packaging

Packaging dimensions and unit	L x W x H: 1850 x 640 x 315 mm (packaging box); 2000 x 700 x 125 mm (pallet); up to 3x TEP4 stackable on pallet (height: 1070 mm)
Scope of delivery	Charging station, printed instructions, foundation installation set, 2x keys, master key

Performance features and functions

Authentication	via RFID cards (ISO 14443) MIFARE Ultralight, Classic or DESFire
Screen	4.3-inch display per charging point to show operator data, prices, QR codes
Charging connections	2 x IEC 62196 type 2 charging socket plug interlock; 2 x attached type 2 cable (charging connections can be combined); *max. 2 x 22 kW in parallel, max. 32 A per charging point; (*simultaneity factor 0.9); emergency release in the event of a power failure

Mechanical design

Dimension	1797 x 425 x 200 mm (H x W x D)
Weight	depending on version 48-55 kg
Operating temperature range	-25 °C to +50 °C
Installation site	≤ 2.000 m (altitude above sea level)
Relative humidity	5 to 95%, non-condensing
Protection class	IP54
Vandalism protection	IK10
Mounting type	Floor mounting on concrete foundation prefabricated foundation available

Technical information

Electrical version

Grid connection	Mains connection: 3P+N+PE, max. 5 x 35 mm ² copper, rated voltage: 230/400 VAC 50 Hz, rated current: 63 A, all-pole, internal switch-off by fuse switch-disconnector (63 A)
Security	Main switch: 3P+N fuse switch-disconnector; fuses per charging point: 3 x 32 A (on power board); RCD type A per charging point with additional DC residual current monitoring 6 mA; temperature derating; contactor sticking detection
Lightning and overvoltage protection	Optional combination arrester Cat. I+II+III AC according to DIN EN 61643-11 Optional combination arrester for data line in accordance with DIN EN 61643-21
Load management	Static and dynamic load management included (local, Modbus TCP, MQTT and OCPP); see operating instructions for details
Specific functions	i-MiEV detection, Mode 3s detection
Status display	LED status display integrated in topper element (remote visibility) Fault detection through different flashing codes
Calibration law	Conformity with calibration law as standard
Energy meter	DIN rail meter compliant with calibration law
Standby consumption	approx. 20 watts

Connectivity

Monitoring	Monitoring and diagnostics via OCPP1.6 (OCPP2.1 in preparation)
Remote maintenance	Extensive remote maintenance options via OCPP
Update options	USB, web interface, Backend
WebInterface	The Technagon web interface can be used to configure the most important parameters that are required for individual operation.
External IT systems	Standard Ethernet connection (LAN) and as an option 40069.160 via GPRS, UMTS, LTE

Billing and customer management

Billing	by means of signed, calibration-compliant data records via OCPP
Long-term storage in compliance with calibration law	Local and physically accessible storage of charging data for 8 years via SD card
Customer management	via OCPP or local whitelist (csv import) Optional payment option via Giro-e (EC card)

Standards

Charging processes	IEC 61851-1 (Mode 3)
Connections	IEC 62196-2, VDE-AR-E2623-2, IEC 60309
Security	IP 54 according to IEC 60529, IEC 62955, IEC 61439-1, IEC 61439-7, protection class 1 (with protective conductor), CE "Class A" in accordance with EU Directive 2014/30/EU
Calibration law	REA document 6-A, PTB requirement 50.7

Technical information

Shared backends

be.energised, Chargepoint, ChargeCloud, Virta, Smartlab, Lichtblick, eRound, reev, Lastmilesolution, Monta, MSU, E-Flux and more.

Subject to technical changes

Basic version

Article no.	Description
40069.165	Charging station TEP4; compliant with calibration law; 2 charging points

Options and accessories

Article no.	Description
40069.150	Attached spiral cable (cable length 5.5 m)
40069.152	Double clamp (up to max. 35 mm ²) (mains connection clamp, with which another charging station can be supplied in parallel)
40069.153	Backend pre-configuration
40069.157	Overvoltage arrester DEHNpatch (Ethernet connection)
40069.158	Energy supplier contact (I/O port for possible requirements from energy suppliers)
40069.159	Overvoltage combined arrester Cat I+II+III
40069.160	Mobile communications modem (4G)
40069.468	Mobile communications configuration package
40069.161	Direct payment system via Giro-e (EC card) Business account with billing partner GLS Bank required separately
40069.177	Credit card terminal instead of a charging point (mobile phone connection in the terminal by default, additional network cable required for LAN)
40069.234	Credit card terminal also integrated into the charging station (mobile phone connection in the terminal by default, additional network cable required for LAN)
40069.383	Switch-disconnector NH00 160 A
40069.553	Communication (switch)
40069.384	Communication (switch + preparation for router)
40069.154	Foiling ex works TEP4 - Full foiling
40069.329	Foiling ex works Technagon TEP4 - Partial foiling front and side panels
40069.327	Foiling ex works TEP4 - Partial front foiling
40069.163	Prefabricated concrete foundation TEP4
40069.162	Foundation anchor TEP4
40069.296	Charging module cover (temporary cover)

The uniqueness of Technagon

Our products are much more than simple charging stations. They embody intelligence, sustainability and elegance. Discover our entire portfolio at: technagon.de



Contact

Technagon GmbH
Brunnwiesen 38
D-94481 Grafenau

Phone: +49 / 8555 / 51700-00
Mail: office@technagon.de
Web: www.technagon.de

